



# TOOLS THAT MEASURE UP!

## Large Display Electronic Calipers



- ▶ Resolution: 0.01mm/0.0005"
- ▶ Large LCD display with back light for easy reading
- ▶ Buttons: zero set, power on/off, inch/mm conversion
- ▶ Auto power off
- ▶ Battery CR2025, includes one spare battery
- ▶ DIN862, hardened stainless steel construction
- ▶ Data output via USB
- ▶ Supplied in fitted storage case

Range (mm/Inch)	Code	Price
0-150/0-6	1107-150	<b>\$ 72.40</b>
0-200/0-8	1107-200	<b>104.00</b>
0-300/0-12	1107-300	<b>157.00</b>

## Electronic Calipers - Coolant Proof



- ▶ Resolution: 0.01mm/0.0005"
- ▶ Coolant proof, IP67 Ingress protection level
- ▶ Buttons: zero set/power on, inch/mm conversion
- ▶ Auto power off
- ▶ Battery CR2032, includes one spare battery
- ▶ DIN862, hardened stainless steel construction, with locking clamp and thumb wheel for outside, inside, depth and step measurements
- ▶ Supplied in fitted storage case

Range (mm/Inch)	Code	Price
0-150/0-6	1118-150	<b>\$ 182.00</b>
0-200/0-8	1118-200	<b>245.00</b>
0-300/0-12	1118-300	<b>298.00</b>

## High Precision Electronic Calipers



- ▶ Resolution: 0.01mm/0.0005"
- ▶ High accuracy scale pitch - quick reading without speed limitation
- ▶ Low power consumption, special vernier design, no minus sign in front of zero
- ▶ Buttons: zero set, power on/off, inch/mm conversion
- ▶ Battery SR44, includes one spare battery
- ▶ DIN862, hardened stainless steel construction, with locking clamp and thumb wheel, for outside, inside, depth and step measurements
- ▶ Data output via USB
- ▶ Supplied in fitted storage case

Range (mm/Inch)	Code	Price
0-150/0-6	1137-150	<b>\$ 57.00</b>
0-200/0-8	1137-200	<b>71.00</b>
0-300/0-12	1137-300	<b>109.00</b>

## Fractional Reading Electronic Calipers - Coolant Proof



- ▶ Resolution: 0.01mm, 0.0005", 1/128" (fractional)
- ▶ Coolant proof, IP54 Ingress protection level
- ▶ Buttons: zero set, mm/inch/fraction conversion, ABS/INC, power on/off
- ▶ Auto power off
- ▶ Battery CR2032, includes one spare battery
- ▶ DIN862, hardened stainless steel construction, with locking clamp and thumb wheel, for outside, inside, depth and step measurements
- ▶ Data output via USB
- ▶ Supplied in fitted storage case

Range (mm/Inch)	Code	Price
0-150/0-6	1102-150	<b>\$ 67.00</b>
0-200/0-8	1102-200	<b>92.00</b>
0-300/0-12	1102-300	<b>119.00</b>

**DISTRIBUTED BY:**

## Electronic Calipers



- ▶ Resolution: 0.01mm/0.0005"
- ▶ Buttons: zero set, power on/off, inch/mm conversion
- ▶ Recessed zero button prevents it from being pressed by accident
- ▶ Battery SR44, includes one spare battery
- ▶ DIN862, hardened stainless steel construction, with locking clamp and thumb wheel, for outside, inside, depth and step measurements
- ▶ Data output via USB
- ▶ Supplied in fitted storage case

Range (mm/Inch)	Code	Price
0-150/0-6	1112-150	<b>\$ 44.00</b>
0-200/0-8	1112-200	<b>64.00</b>
0-300/0-12	1112-300	<b>99.00</b>

## Electronic Calipers with Carbide Tipped Jaws



- ▶ Resolution: 0.01mm/0.0005"
- ▶ Wear resistant carbide tipped outside and inside jaws for inside and outside measurements
- ▶ Buttons: zero set, power on/off, inch/mm conversion
- ▶ Recessed zero button prevents it from being pressed by accident
- ▶ Battery SR44, includes one spare battery
- ▶ DIN862, hardened stainless steel construction
- ▶ Data output via USB
- ▶ Supplied in fitted storage case

Range (mm/Inch)	Code	Price
0-150/0-6	1110-150	<b>\$ 144.00</b>
0-200/0-8	1110-200	<b>164.00</b>
0-300/0-12	1110-300	<b>230.00</b>

## Dial Calipers



- ▶ DIN862, hardened stainless steel construction, satin chrome clamp and thumb wheel
- ▶ Shock proof dial indicator, adjustable bezel with bezel locking clamp
- ▶ For outside, inside, depth and step measurements
- ▶ Supplied in fitted storage case

## Electronic Calipers Extra Range (24 to 80 Inches)



- ▶ Resolution: 0.01mm/0.0005"
- ▶ Round faces of lower jaws are ideal for accurate inside measurements
- ▶ Buttons: power on/off, inch/mm conversion, absolute and incremental measurements, data preset, set data
- ▶ Battery CR2032, includes one spare battery
- ▶ Hardened stainless steel construction, with "C" type locking clamp and fine adjustment for outside and inside measurements
- ▶ Supplied in fitted storage case

Range (mm/Inch)	Lower Jaw Length (mm/Inch)	Code	Price
0-600/0-24	100/4	1136-601	<b>\$ 499.40</b>
0-1000/0-40	150/6	1136-1002	<b>1,091.20</b>
0-1500/0-60	150/6	1136-1502	<b>1,828.40</b>
0-2000/0-80	150/6	1136-2002	<b>2,690.30</b>

## Electronic Calipers with Metal Case



- ▶ Resolution: 0.01mm/0.0005"
- ▶ Die cast zinc alloy casing
- ▶ Buttons: zero set, power on/off, inch/mm conversion
- ▶ Battery SR44, includes one spare battery
- ▶ DIN862, hardened stainless steel construction, with locking clamp and thumb wheel, for outside, inside, depth and step measurements
- ▶ Supplied in fitted storage case

Range (mm/Inch)	Code	Price
0-150/0-6	1114-150	<b>\$ 63.00</b>
0-200/0-8	1114-200	<b>87.00</b>
0-300/0-12	1114-300	<b>124.00</b>

### INCH

Range (Inch)	Graduation (Inch)	Code	Price
0-6	0.001	1311-6	<b>\$ 41.00</b>
0-8	0.001	1311-8	<b>55.00</b>
0-12	0.001	1311-12	<b>102.00</b>

### METRIC

Range (mm)	Graduation (mm)	Code	Price
0-150	0.01	1311-150	<b>\$ 55.00</b>
0-200	0.01	1311-200	<b>76.00</b>
0-300	0.01	1311-300	<b>117.00</b>

## Long Range Vernier Calipers



- ▶ Graduations: 0.02mm/0.001"
- ▶ With locking screw and fine adjustment
- ▶ DIN862, monoblock, hardened stainless steel construction with satin chrome plated reading surface
- ▶ Supplied in fitted storage case

Range (mm/Inch)	Jaw Length (mm/Inch)	Code	Price
0-300/0-12	90/3.5	1208-392	<b>\$ 135.00</b>
0-500/0-20	100/3.9	1208-512	<b>235.00</b>
0-600/0-24	100/3.9	1208-612	<b>278.00</b>
0-1000/0-40	150/5.9	1208-1022	<b>860.00</b>
0-1500/0-60	150/5.9	1208-1522	<b>1,380.00</b>
0-2000/0-80	150/5.9	1208-2022	<b>2,680.00</b>

## Vernier Calipers

### 1/128" Fractional Reading



- ▶ Graduations: 0.05mm/1/128"
- ▶ Thumb slide knob
- ▶ DIN862, monoblock, hardened stainless steel construction with satin chrome plated reading surface
- ▶ Supplied in fitted storage case

Range (mm/Inch)	Graduation (mm/Inch)	Code	Price
0-150/0-6	0.05/1/128	1205-150	<b>\$ 22.00</b>
0-200/0-8	0.05/1/128	1205-200	<b>35.00</b>

## Vernier Calipers



### INCH/METRIC

Range (Inch/mm)	Graduation (Inch/mm)	Code	Price
0-6/0-150	0.001/0.05	1205-1502	<b>\$ 22.00</b>
0-8/0-200	0.001/0.05	1205-2002	<b>35.00</b>
0-12/0-300	0.001/0.05	1205-3002	<b>67.00</b>

- ▶ Thumb slide knob
- ▶ DIN862, monoblock, hardened stainless steel construction with satin chrome plated reading DIN face
- ▶ Supplied in fitted storage case

### METRIC

Range (mm)	Graduation (mm)	Code	Price
0-150	0.02	1205-1501	<b>\$ 22.00</b>
0-200	0.02	1205-2001	<b>35.00</b>
0-300	0.02	1205-3001	<b>67.00</b>

## Vernier Calipers with Carbide Tipped Jaws

### 0.001" Decimal Graduations



- ▶ Carbide tipped outside and inside jaws for inside and outside measurements
- ▶ Graduations: 0.02mm/0.001"
- ▶ Thumb slide knob
- ▶ DIN862, monoblock, hardened stainless steel construction with satin chrome plated reading surface
- ▶ Supplied in fitted storage case

Range (mm/Inch)	Graduation (mm/Inch)	Code	Price
0-150/0-6	0.02/0.001	1238-1502	<b>\$ 99.00</b>
0-200/0-8	0.02/0.001	1238-2002	<b>126.30</b>
0-300/0-12	0.02/0.001	1238-3002	<b>191.00</b>

### 1/128" Fractional Graduations



- ▶ Carbide tipped outside and inside jaws for inside and outside measurements
- ▶ Graduations: 0.05mm/1/128"
- ▶ Thumb slide knob
- ▶ DIN862, monoblock, hardened stainless steel construction with satin chrome plated reading surface
- ▶ Supplied in fitted storage case

Range (mm/Inch)	Graduation (mm/Inch)	Code	Price
0-150/0-6	0.05/1/128	1238-150	<b>\$ 99.00</b>
0-200/0-8	0.05/1/128	1238-200	<b>126.30</b>
0-300/0-12	0.05/1/128	1238-300	<b>191.00</b>

## Electronic Depth Calipers



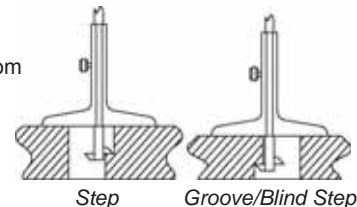
- ▶ Resolution: 0.01mm/0.0005"
- ▶ Stainless steel, hardened beam and base
- ▶ Buttons: zero set, power on/off, inch/mm conversion
- ▶ Recessed zero button prevents it from being pressed by accident
- ▶ Battery SR44, includes one spare battery
- ▶ Data output via USB
- ▶ Supplied in fitted storage case

Range (mm/Inch)	Base Length (mm/Inch)	Code	Price
0-150/0-6	100/4	1141-150	<b>\$ 73.00</b>
0-200/0-8	100/4	1141-200	<b>87.00</b>
0-300/0-12	150/6	1141-300	<b>186.00</b>

## Electronic Depth Calipers with Two Hooks



- ▶ Resolution: 0.01mm/0.0005"
- ▶ DIN862, hardened stainless steel construction
- ▶ Buttons: zero set, power on/off, inch/mm conversion
- ▶ Recessed zero button prevents it from being pressed by accident
- ▶ Battery SR44, includes one spare battery
- ▶ Data output via USB
- ▶ For step and groove measurements
- ▶ Supplied in fitted storage case



Range (mm/Inch)	Base Length (mm/Inch)	Code	Price
0-150/0-6	100/4	1144-150	<b>\$ 84.00</b>
0-200/0-8	100/4	1144-200	<b>104.00</b>
0-300/0-12	150/6	1144-300	<b>198.00</b>

## Caliper Depth Base Attachment

- ▶ Fits Insize calipers up to 200mm/8"
- ▶ Stainless steel
- ▶ Locking clamp



Base Length (mm/Inch)	Code	Price
76/3	6140	<b>\$ 16.00</b>

## Outside Micrometers



- ▶ Graduation: 0.01mm/0.0001"
- ▶ DIN863, painted frame, ratchet stop, spindle lock, carbide tips, adjusting wrench
- ▶ Micrometers over 25mm/1" are supplied with a setting standard
- ▶ Supplied in fitted storage case
- ▶ Sets include all features above PLUS applicable setting standards

### MICROMETER SETS

Range (Inch)	Inch Code	Range (mm)	Metric Code	Price
0-3 (3 pcs)	3203-33	0-75 (3 pcs)	3203-753	<b>\$ 77.00</b>
0-4 (4 pcs)	3203-44	0-100 (4 pcs)	3203-1004	<b>99.00</b>
0-6 (6 pcs)	3203-66	0-150 (6 pcs)	3203-1506	<b>205.00</b>
6-12 (6 pcs)	3203-126	150-300 (6 pcs)	3203-3006	<b>395.00</b>
0-12 (12 pcs)	3203-1212	0-300 (12 pcs)	3203-3012	<b>585.00</b>

### INDIVIDUAL MICROMETERS

Range (Inch)	Inch Code	Range (mm)	Metric Code	Price
0-1	3203-1	0-25	3203-25	<b>\$ 20.00</b>
1-2	3203-2	25-50	3203-50	<b>25.50</b>
2-3	3203-3	50-75	3203-75	<b>30.80</b>
3-4	3203-4	75-100	3203-100	<b>34.10</b>
4-5	3203-5	100-125	3203-125	<b>41.00</b>
5-6	3203-6	125-150	3203-150	<b>49.50</b>
6-7	3203-7	150-175	3203-175	<b>58.70</b>
7-8	3203-8	175-200	3203-200	<b>66.30</b>
8-9	3203-9	200-225	3203-225	<b>72.00</b>
9-10	3203-10	225-250	3203-250	<b>79.00</b>
10-11	3203-11	250-275	3203-275	<b>88.00</b>
11-12	3203-12	275-300	3203-300	<b>93.00</b>

## Electronic Outside Micrometers

- ▶ Resolution: 0.001mm/0.00005"
- ▶ Buttons: power on/off, inch/mm conversion, data set
- ▶ Auto power off
- ▶ SR44 battery, includes one spare battery
- ▶ DIN863, insulated and painted frame, ratchet friction thimble, spindle lock, with battery cover wrench, carbide tips
- ▶ Spherical anvil included allows tube thickness measurements
- ▶ Micrometers over 0-25mm/0-1" are supplied with a setting standard
- ▶ Supplied in fitted storage case

Optional Spherical Anvil included



Range (mm/Inch)	Code	Price
0-25/0-1	3109-25	\$ 73.80
25-50/1-2	3109-50	94.80
50-75/2-3	3109-75	113.50
75-100/3-4	3109-100	125.20
100-125/4-5	3109-125	157.40
125-150/5-6	3109-150	176.20

## Electronic Outside Micrometers - Coolant Proof

- ▶ Resolution: 0.001mm/0.00005"
- ▶ Coolant proof, IP65 Ingress protection level
- ▶ Buttons: power on/off, inch/mm conversion, absolute and incremental measurement, data set
- ▶ Data output via RS232
- ▶ Auto power off
- ▶ SR44 battery, includes one spare battery
- ▶ DIN863, insulated and painted frame, ratchet stop, spindle lock, with battery cover wrench, carbide tips
- ▶ Spherical anvil included allows tube thickness measurements
- ▶ Micrometers over 0-25mm/0-1" are supplied with a setting standard
- ▶ Supplied in fitted storage case

Optional Spherical Anvil included



Range (mm/Inch)	Code	Price
0-25/0-1	3101-25	\$ 147.00
25-50/1-2	3101-50	161.50
50-75/2-3	3101-75	173.00

## Blade Micrometers

- ▶ Graduation: 0.0001"
- ▶ Blade tips on anvil and spindle allow measurements of groove diameters of shafts and keyways
- ▶ Blade tip: 0.030" thick by 0.240" wide by 0.250" long
- ▶ Non-rotating spindle, ratchet stop
- ▶ Zero adjusting wrench
- ▶ Micrometers over 0-1" are supplied with a setting standard
- ▶ Supplied in fitted storage case



Range (Inch)	Code	Price
0-1	3232-1	\$ 142.00
1-2	3232-2	154.00
2-3	3232-3	165.00
3-4	3232-4	182.00
4-5	3232-5	199.00
5-6	3232-6	216.00
6-7	3232-7	233.00

## Screw Thread Micrometers

- ▶ Graduation: 0.001"
- ▶ Measures pitch diameter of screw threads
- ▶ Non-rotating spindle, ratchet stop
- ▶ Zero adjusting wrench
- ▶ Supplied with 60 degree standard rods. 55 degree standard rods are sold separately
- ▶ Measuring tips are sold separately
- ▶ Supplied in fitted storage case

Interchangeable Measuring Tips Sold Separately



Range (Inch)	Code	Price
0-1	3281-1	\$ 87.40
1-2	3281-2	96.50
2-3	3281-3	112.10
3-4	3281-4	121.90
4-5	3281-5	140.50
5-6	3281-6	158.10

## Measuring Tips for Screw Thread Micrometers

- ▶ Made of bearing steel



### 6-Piece Set

METRIC AND UNIFIED SCREW (for 60 degree threads)

Pitch (mm/Threads per Inch)	Code	Price
0.4-0.5mm/64-48TPI	7381-T1S	<b>\$ 96.00</b>
0.6-0.9mm/44-28TPI		
1-1.75mm/24-14TPI		
2-3mm/13-9TPI		
3.5-5mm/8-5TPI		
5.5-7mm/4.5-3.5TPI		

### 10-Piece Set

WHITWORTH SCREW (for 55 degree threads)

Pitch (Threads per Inch)	Code	Price
60-48TPI	7381-T2S	<b>\$ 157.00</b>
48-40TPI		
40-32TPI		
32-24TPI		
24-18TPI		
18-14TPI		
14-10TPI		
10-7TPI		
7-4.5TPI		
4.5-3.5TPI		

## Multi-Beam Electronic Height Gages

- ▶ Resolution: 0.01mm/0.001"
- ▶ Carbide-tipped scriber, stainless steel beam and base, with driving wheel for vertical movement
- ▶ Buttons: zero set, power on/off, inch/mm conversion, absolute and relative measurement, data preset, set data
- ▶ Data output via RS232
- ▶ Battery SR44, includes one spare battery
- ▶ Indicator holder is optional
- ▶ Supplied in fitted storage case



Range (mm/Inch)	Number of Beams	Code	Price
0-300/0-12	2	1151-300	<b>\$ 520.00</b>
0-450/0-18	2	1151-450	<b>710.00</b>
0-600/0-24	2	1151-600	<b>830.00</b>
0-1000/0-40	3	1151-1000	<b>4,000.00</b>

## 55° Whitworth Thread Micrometer Setting Standards



Description	Code	Price
1" standard for 0-1" micrometers	3281-SPE1	<b>\$ 77.00</b>
2" standard for 1-2" micrometers	3281-SPE2	<b>88.20</b>
3" standard for 2-3" micrometers	3281-SPE3	<b>100.50</b>
4" standard for 3-4" micrometers	3281-SPE4	<b>115.40</b>
5" standard for 4-5" micrometers	3281-SPE5	<b>132.60</b>
6" standard for 5-6" micrometers	3281-SPE6	<b>151.00</b>

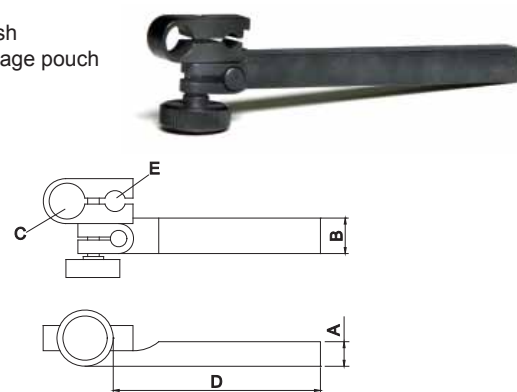
## Micrometer Stands



Description	Code	Price
Compact stand with 1 locking handle	6300	<b>\$ 29.00</b>
Cast stand with 2 separate locking handles	6301	<b>26.00</b>

## Indicator Holder for Height Gages

- ▶ Black oxide finish
- ▶ Supplied in storage pouch



A	B	Diameter C	D	Diameter E	Code	Price
9mm	9mm	8mm	100mm	4mm	6293-1	<b>\$ 15.00</b>
1/2"	1/4"	3/8"	4"	5/32"	6293-2	<b>15.00</b>

## Dial Indicators

- ▶ Meets DIN878 or ANSI B89.1.10 standard
- ▶ Metric Indicator: Stem diameter 8mm, Bezel diameter 60mm
- ▶ Inch Indicator: Stem diameter 3/8", Bezel diameter 2.36" (60mm)
- ▶ Lug back
- ▶ Bezel locking clamp and tolerance index
- ▶ Aluminum body
- ▶ Continuous reading dial 0-100
- ▶ Contact point thread for inch indicator: #4-48UNF
- ▶ Contact point thread for metric indicator: M2.5 x 0.45
- ▶ Supplied in fitted storage case



### INCH

Range (Inch)	Graduation (Inch)	Code	Price
0-0.5	0.001	2307-05	<b>\$ 27.00</b>
0-1	0.001	2307-1	<b>25.00</b>
0-2	0.001	2307-2	<b>55.00</b>

### METRIC

Range (mm)	Graduation (mm)	Code	Price
0-15	0.1	2318-15	<b>\$ 59.00</b>
0-25	0.1	2318-25	<b>65.00</b>

## Precision Dial Indicator - Inch

- ▶ Meets ANSI B89.1.10 standard
- ▶ Bezel diameter: 2.36" (60mm)
- ▶ Stem diameter: 3/8"
- ▶ Shock proof, jeweled
- ▶ Lug back
- ▶ Bezel locking clamp and tolerance index
- ▶ Aluminum body
- ▶ Contact point thread #4-48UNF
- ▶ Supplied in fitted storage case



Range (Inch)	Graduation (Inch)	Code	Price
0-0.05	0.0001	2315-05	<b>\$ 93.00</b>

## Precision Electronic Indicator

- ▶ Rotating dial face, digital/analog display
- ▶ Stem diameter: 8mm
- ▶ Buttons: inch/mm conversion, absolute/relative measurement, zero set, power on, range measurement, tolerance measurement
- ▶ Data output via RS232
- ▶ Auto power off
- ▶ CR2032 battery, includes spare battery
- ▶ Lug back
- ▶ Contact point thread M2.5 x 0.45
- ▶ Supplied in fitted storage case



Range (mm/Inch)	Resolution (mm/Inch)	Code	Price
0-10/0-0.5	0.002/0.00005	2106-102E	<b>\$ 155.00</b>

## Electronic Indicators

- ▶ Rotating display head
- ▶ Stem diameter: 3/8"
- ▶ Buttons: inch/mm, zero set, power on/off, mode – to find the difference between min. and max. readings, "+/-" – for measuring direction change from zero set
- ▶ Data output via USB
- ▶ Auto power off
- ▶ CR2032 battery, includes spare battery
- ▶ Lug back
- ▶ Contact point thread #4-48UNF
- ▶ Supplied in fitted storage case



Range (mm/Inch)	Resolution (mm/Inch)	Code	Price
0-10/0-0.5	0.005/0.0005	2102-10E	<b>\$ 98.00</b>
0-25/0-1	0.005/0.0005	2102-25E	<b>115.00</b>

## Long Range Electronic Indicators

- ▶ Buttons: inch/mm, ABS, zero set
- ▶ Auto power off
- ▶ Lug back and flat back supplied
- ▶ CR2032 battery
- ▶ Stem diameter: 8mm
- ▶ Data output via USB
- ▶ Contact point thread M2.5 x 0.45
- ▶ Supplied in fitted storage case



Range (mm/Inch)	Resolution (mm/Inch)	Code	Price
0-50/0-2	0.005/0.0002	2107-50	<b>\$ 277.00</b>

## Dial Test Indicators

- ▶ Meets DIN2270 or BS2795 standard
- ▶ Satin chrome finish, brass body, anti-magnetic
- ▶ Jeweled bearing, shock-proof
- ▶ Interchangeable carbide contact point, 2mm diameter, supplied with wrench
- ▶ Probe length: 13.5mm/1/2"
- ▶ Two holding stems: 4mm/5/32" and 8mm/3/8"
- ▶ Supplied in fitted storage case



### INCH

Range (Inch)	Graduation (Inch)	Bezel Diameter (Inch)	Code	Price
0-0.03	0.0005	1.18	2380-35	<b>\$ 67.00</b>
0-0.008	0.0001	1.18	2380-301	<b>84.00</b>

### METRIC

Range (mm)	Graduation (mm)	Bezel Diameter (mm)	Code	Price
0-0.8	0.01	30	2380-08	<b>\$ 59.00</b>

## Long Range Dial Test Indicators

- ▶ Steel contact point, 2mm diameter
- ▶ Probe length: 16mm/5/8"
- ▶ Holding stem: 4mm/5/32"
- ▶ Supplied in fitted storage case



### INCH

Range (Inch)	Graduation (Inch)	Bezel Diameter (Inch)	Code	Price
±0.06	0.0005	1.51	2386-006	<b>\$ 127.00</b>

### METRIC

Range (mm)	Graduation (mm)	Bezel Diameter (mm)	Code	Price
±1.6	0.01	38.4	2386-16	<b>\$ 127.00</b>

## Electronic Test Indicator

- ▶ Includes tolerance measurement feature
- ▶ Buttons: inch/mm conversion, zero set, power on/off, tolerance
- ▶ Satin chrome plated brass body
- ▶ Ruby contact point with 2mm diameter
- ▶ Probe length: 27mm
- ▶ Two holding stems: 4mm/5/32" and 8mm/3/8"
- ▶ SR44 battery, includes spare battery
- ▶ Supplied in fitted storage case



Range (mm/Inch)	Resolution (mm/Inch)	Code	Price
±0.5/0.02	0.001/0.0001	2181-05	<b>\$ 215.00</b>

## Portable Hardness Tester

- ▶ Hardness: Leib, Rockwell B, Rockwell C, Vickers, Brinell, Shore and tensile strength
- ▶ Resolution: 1HL, 0.1HRB, 0.1HRC, 1HV, 1HB, 1HS, 1MPa
- ▶ Accuracy: ±6HL (HL=800)
- ▶ Workpiece specifications: min. weight: 5kg/11lbs  
min. thickness: 5mm/0.2"  
min. thickness of layers: 0.8mm/0.03"  
min. radius of curved surface: 11mm/0.43"
- ▶ Working temperature: 0°C-50°C (32°F-122°F)
- ▶ Battery operated, with battery power indicator
- ▶ Large LCD display with back light includes: scale, hardness value, average value, test times, date, impact direction, material
- ▶ Output: wireless IR and USB
- ▶ Low and high limit settings
- ▶ Dimensions: 150 x 80 x 24mm
- ▶ Supplied in fitted storage case



### Includes:

- 1) Main unit
- 2) Printer
- 3) Impact device "D"
- 4) Cleaning brush for impact device
- 4) Supporting ring for impact device
- 5) Test block

Code	Price
ISH-PHA	<b>\$ 1,980.00</b>

## Magnetic Stands

### Dual Stem Magnetic Stand

- ▶ Main stem: Ø12 x 176mm
- ▶ Assistant stem: Ø10 x 160mm
- ▶ Clamp hole: 3/8" diameter with 8mm sleeve
- ▶ For dial indicators with lug back or flat back
- ▶ Base: 60 x 50 x 55mm (2.4" x 2" x 2.2") with on/off switch



Magnetic Force (kgf)	Code	Price
60	6200-60	\$ 23.00

### Universal Magnetic Stand

- ▶ With fine adjustment
- ▶ Overall stem length 340mm/13.4"
- ▶ Dovetail groove for test indicator
- ▶ Clamp hole: 3/8" diameter with 8mm sleeve
- ▶ For dial indicators with lug back or flat back
- ▶ Base: 60 x 50 x 55mm (2.4" x 2" x 2.2") with on/off switch



Magnetic Force (kgf)	Code	Price
80	6208-80	\$ 46.00

### Dual Stem Magnetic Stand

- ▶ With fine adjustment
- ▶ Main stem: Ø12 x 176mm
- ▶ Assistant stem: Ø10 x 160mm
- ▶ Clamp hole: 3/8" diameter with 8mm sleeve
- ▶ For dial indicators with lug back or flat back
- ▶ Base: 60 x 50 x 55mm (2.4" x 2" x 2.2") with on/off switch



Magnetic Force (kgf)	Code	Price
60	6201-60	\$ 21.00

### Heavy Duty Universal Magnetic Stand

- ▶ Heavy duty universal with fine adjustment
- ▶ Overall stem length 340mm/13.4"
- ▶ Dovetail groove for dial test indicators
- ▶ Clamp hole: 3/8" diameter with 8mm sleeve
- ▶ For dial indicators with lug back or flat back
- ▶ Base: 60 x 50 x 55mm (2.4" x 2" x 2.2") with on/off switch



Magnetic Force (kgf)	Code	Price
80	6205-80	\$ 93.00

### Heavy Duty High Force Magnetic Stand

- ▶ Heavy duty with fine adjustment
- ▶ Main stem: Ø20 x 360mm
- ▶ Assistant stem: Ø12 x 220mm
- ▶ Clamp hole: 3/8" diameter with 8mm sleeve
- ▶ For dial indicators with lug back or flat back
- ▶ Base: 73 x 50 x 55mm (2.9" x 2" x 2.2") with on/off switch



Magnetic Force (kgf)	Code	Price
100	6202-100	\$ 49.00

### Flex Arm Magnetic Stand

- ▶ Flexible arm
- ▶ Overall arm length 330mm/13"
- ▶ Single lever operation to lock arm in place
- ▶ For dial indicators with stem diameter 8mm and 3/8"
- ▶ Base: 60 x 50 x 55mm (2.4" x 2" x 2.2") with on/off switch



Magnetic Force (kgf)	Code	Price
80	6207-80	\$ 39.10

## Dial Indicator Depth Gages



- ▶ Hardened stainless steel base
- ▶ Three rod lengths with spherical ends to allow measurements from: 0-10mm, 10-20mm, 20-30mm or 0-0.4", 0.4-0.8", 0.8-1.2"
- ▶ Supplied in fitted storage case

### INCH

Range (Inch)	Indicator Range (Inch)	Indicator Graduation (Inch)	Base (Inch)	Code	Price
0-1.2	0-0.5	0.001	4 x 0.67	2341-E2	<b>\$ 59.00</b>

### METRIC

Range (mm)	Indicator Range (mm)	Indicator Graduation (mm)	Base (mm)	Code	Price
0-30	0-10	0.01	101.5 x 17	2341-102	<b>\$ 59.00</b>

## Electronic Indicator Depth Gage



- ▶ Hardened stainless steel base
- ▶ Buttons: inch/mm conversion, power on/off, zero set
- ▶ Three rod lengths with spherical ends to allow measurements from: 0-10mm/0-0.4", 10-20mm/0.4-0.8", 20-30mm/0.8-1.2"
- ▶ Supplied in fitted storage case

Range (mm/Inch)	Indicator Range (mm/Inch)	Indicator Graduation (mm/Inch)	Base (mm/Inch)	Code	Price
0-30/0-1.2	0-12.7/0-0.5	0.005/0.0005	101.5 x 17/4 x 0.67	2141-102	<b>\$ 98.00</b>

## SPC Data Connection Cables with Software

- ▶ Set includes cable and software for PC



7301-SPC1, 7301-SPC3, 21-SPC1



7301-SPC2



7310-SPC2

Description	Code	Price
For use with Electronic Calipers and Electronic Depth Calipers: 1141-150, 1141-200, 1141-300, 1112-150, 1112-200, 1112-300, 1110-150, 1110-200, 1110-300, 1144-150, 1144-200, 1144-300	7301-SPC1	<b>\$ 155.00</b>
For use with Electronic Height Gages: 1151-300, 1151-450, 1151-600, 1151-1000	7301-SPC2	<b>155.00</b>
For use with Electronic Calipers: 1137-150, 1137-200, 1137-300	7301-SPC3	<b>191.00</b>
For use with Electronic Micrometers: 3101-25, 3101-50, 3101-75	7310-SPC2	<b>56.00</b>
For use with Electronic Indicators: 2106-101E, 2107-50, 2123-6	21-SPC1	<b>107.00</b>
For use with Electronic Calipers: 1107-150, 1107-200, 1107-300	7301-SPC5	<b>157.00</b>
For use with Electronic Calipers: 1102-150, 1102-200, 1102-300	7301-SPC4	<b>87.60</b>
For use with Electronic Indicator: in set 5007-2	7301-SPC4	<b>87.60</b>
For use with Electronic Indicators: 2102-10, 2102-25, 2102-10E, 2102-25E, 2102-10F, 2102-25F	7303-SPC3	<b>92.60</b>

## Measuring Tool Sets

### 2-Piece Set

► **Set Includes:**

- 1) Electronic digital caliper (1112-150), range 0-150mm/0-6", resolution 0.01mm/0.0005", meets DIN862, made of hardened stainless steel, with SR44 battery, spare battery and data output via USB
  - 2) Electronic outside micrometer, range 0-25mm/0-1", resolution 0.001mm/0.00005", SR44 battery, spare battery auto power off, meets DIN863, ratchet stop, anvil lock, carbide tips, with spare spherical anvil and spare battery
- Supplied in fitted storage case



Code	Price
5002-2	\$ 112.00

### 7-Piece Set

► **Set Includes:**

- 1) Electronic digital caliper (1112-150), range 0-150mm/0-6", resolution 0.01mm/0.0005", meets DIN862, made of hardened stainless steel, with SR44 battery, spare battery and data output via USB
  - 2) Electronic outside micrometer, range 0-25mm/0-1", resolution 0.001mm/0.00005", SR44 battery, spare battery, auto power off, meets DIN863, carbide tips, with spare spherical anvil and spare battery
  - 3) Electronic digital indicator, range 0-10mm/0-0.5", resolution 0.01mm/0.0005", auto power off, lug back, with SR44 battery, spare battery and data output via USB
  - 4) Magnetic stand, magnetic force 60 kgf, base 60 x 50 x 55mm with on/off switch, with fine adjustment, main stem Ø12 x 176mm, assistant stem Ø10 x 160mm
  - 5) Micrometer stand
  - 6) Caliper depth base attachment, length 76mm, provides a wide base for depth measurement with electronic digital caliper, made of stainless steel
  - 7) Zero setting bar, used as calibration tool for electronic digital caliper and depth base attachment, made of stainless steel
- Supplied in fitted storage case



Code	Price
5007-2	\$ 255.00

## Optional Data Output Cables for Sets

Description	Code	Price
For Electronic Caliper:	7301-SPC1	\$ 155.00
For Electronic Indicator:	7301-SPC4	87.60

## Dial Bore Gages

- Indicator graduation: 0.01mm/0.0005"
- Indicator range: 0-3mm/0-0.25"
- Ceramic contact moving tip and anvils
- NOTE: Steel moving tip and anvils for 0.7-1.5" and 18-35mm
- Insert type anvils for bore gages over 35mm
- Supplied in fitted storage case

OPTIONS:

- Measuring depths available up to 78.7"
- Dial resolution of 0.0001" and 0.001mm available



Anvil C  
Steel Tip

Anvil D  
Ceramic Tip



Metric model  
displayed

### INCH

Range (Inch)	Depth (Inch)	Bezel Diameter (Inch)	Anvil Type	Code	Price
0.7-1.5	6	2.28	C	2323-15	\$ 119.00
1.4-2.4	6	2.28	D	2323-24	125.80
2-4	6	2.28	D	2323-4	129.90
2-6	6	2.28	D	2323-6	133.10
6-10	16	2.28	D	2323-10	154.50
10-16	16	2.28	D	2323-16	177.10

### METRIC

Range (mm)	Depth (mm)	Bezel Diameter (mm)	Anvil Type	Code	Price
18-35	150	58	C	2322-35	\$ 129.90
35-50	150	58	D	2322-50	129.90
50-100	150	58	D	2322-100	129.90

## Electronic Bore Gage

- Indicator resolution: 0.002mm/0.0005"
- Indicator range: 0-10mm/0-0.5"
- Indicator has rotary face, digital/analog display, auto power off
- Ceramic contact moving tip and anvils
- Insert type anvils for bore gages over 35mm/1.375"
- CR2032 battery, includes spare battery
- Supplied in fitted storage case



Anvil D  
Ceramic Tip



Range (mm/Inch)	Depth (mm/Inch)	Anvil Type	Code	Price
50-100/2-6	150/6	D	2123-6	\$ 273.10

## Depth Micrometers



- ▶ Graduation: 0.001"
- ▶ Flat measuring end on depth rod
- ▶ Ratchet stop
- ▶ Supplied with adjusting wrench
- ▶ Includes measuring rods
- ▶ Supplied with ratchet stop to secure measuring rods
- ▶ Supplied in fitted storage case

Range (Inch)	2.5 Inch Base		4 Inch Base	
	Code	Price	Code	Price
0-1	3241-B1	<b>\$ 65.50</b>	3241-1	<b>\$ 65.45</b>
0-4	3241-B4	<b>77.70</b>	3241-4	<b>107.20</b>
0-6	–	–	3241-6	<b>128.30</b>
0-8	–	–	3241-8	<b>158.80</b>
0-12	–	–	3241-12	<b>207.40</b>

## Digital Microscope



- ▶ Records pictures and video
- ▶ Supplied with geometric software for measurement
- ▶ Built in adjustable LED illuminator
- ▶ Two step adjustable focus with 10X to 200X magnification
- ▶ Image sensor: 1.3 mega pixels
- ▶ Resolution: 1280 x 1024
- ▶ Dimensions: Ø36 x 128mm (without stand)
- ▶ Power Supply: 5V DV from USB port
- ▶ Includes stand, two calibration rules – graduations 0.1mm and 1mm, focus ring supports for 80X/150X and 60X/200X magnification, software CD (requires Windows XP SP2, Vista or Windows 7 operating system)



Screen capture of photo measurement

Code	Price
ISM-PM200S	<b>\$ 307.00</b>

## Block Levels

- ▶ Accuracy: 0.0002"/10"
- ▶ For checking horizontal surfaces and shafts
- ▶ Heat insulated grip
- ▶ Prism bottom
- ▶ Fine ground
- ▶ Cross vial
- ▶ Supplied in fitted storage case



Size (Inch)	Code	Price
6	4901-6	<b>\$ 114.30</b>
8	4901-8	<b>127.30</b>
12	4901-12	<b>170.90</b>

## Square Frame Levels

- ▶ Accuracy: 0.0002"/10"
- ▶ For checking horizontal and vertical surfaces and shafts
- ▶ Heat insulated handle
- ▶ Two prisms and two flat surfaces
- ▶ Fine ground
- ▶ Cross vial
- ▶ Supplied in fitted storage case



Dimensions (Inch)	Code	Price
4 x 4	4902-4	<b>\$ 136.10</b>
6 x 6	4902-6	<b>133.70</b>
8 x 8	4902-8	<b>148.40</b>
12 x 12	4902-12	<b>218.10</b>

## Electronic Protractor and Level

- ▶ 6" overall length
- ▶ Used as level and/or protractor
- ▶ Buttons: data hold, zero set, power on/off, absolute and relative measurement
- ▶ Four work surfaces
- ▶ Display rotates when level is upside down
- ▶ CR2032 battery
- ▶ Stainless steel frame
- ▶ Supplied in leather pouch



Range	Resolution	Code	Price
0-360°	0.1°	2173-360	<b>\$ 119.00</b>

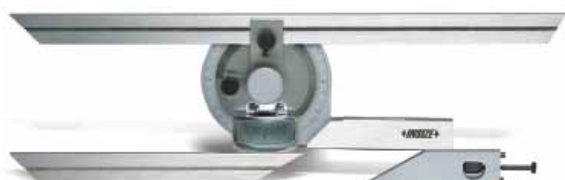
## Electronic Protractor



- ▶ Display in degree and degree/minute/second
- ▶ Buttons: preset (preset any angle), mode (choose 0-90°, 0-180° or 0-360°), zero/on (zero set and power on), "+/-" – for measuring direction change from zero set
- ▶ Stainless steel
- ▶ Two blades: 150mm/6" and 300mm/12"
- ▶ With fine adjustment and small angle attachment
- ▶ Supplied with standard square for 90° set
- ▶ Supplied in fitted storage case

Range	Resolution	Code	Price
0-360°	30"/0.005°	2172-360	<b>\$ 417.00</b>

## Protractor



- ▶ Graduations: 5'
- ▶ Parallax-free reading
- ▶ Stainless steel with satin chrome plated scale
- ▶ With fine adjustment and locking clamp
- ▶ Two blades: 150mm/6" and 300mm/12"
- ▶ With magnifier lens and small angle attachment
- ▶ Supplied in fitted storage case



Clamp for height gage  
sold separately

Range	Code	Price	Code	Price
0-360°	2372-360	<b>\$ 87.00</b>	2372-CLAMP	<b>\$ 17.30</b>

## Dial Protractor



- ▶ Dial graduation: 5'
- ▶ Stainless steel
- ▶ With locking clamp
- ▶ Two blades: 150mm/6" and 300mm/12"
- ▶ With small angle attachment
- ▶ Supplied in fitted storage case



Clamp for height gage  
sold separately

Range	Code	Price	Code	Price
0-360°	2373-360	<b>\$ 104.00</b>	2372-CLAMP	<b>\$ 17.30</b>

## Combination Square



- ▶ Blade graduation: 2278-180 1/2mm and 1/32" on one side, 1mm and 1/64" on reverse side  
2278-180E 1/8" and 1/16" on one side, 1/32" and 1/64" on reverse side
- ▶ Used as square, level, marking gage, scribe, center gage, protractor and 12" steel rule
- ▶ Square 90° and 45°, with level and scribe
- ▶ Protractor graduated 180° in both directions, with level
- ▶ Supplied in fitted storage case

Code	Price
2278-180	<b>\$ 98.00</b>
2278-180E	<b>98.00</b>

## 90° Flat Edge Squares



- ▶ Meets DIN875 standard, grade 0
- ▶ Flat edge
- ▶ Hardened stainless steel
- ▶ Lapped measuring faces
- ▶ Supplied in fitted storage case

Dimensions (mm/Inch)	Code	Price
50 x 40/2 x 1.5	4791-50	<b>\$ 28.00</b>
75 x 50/3 x 2	4791-75	<b>33.00</b>
100 x 70/4 x 2.75	4791-100	<b>37.00</b>
150 x 100/6 x 4	4791-150	<b>55.00</b>
200 x 130/8 x 5	4791-200	<b>69.00</b>
300 x 200/12 x 8	4791-300	<b>99.00</b>

## 90° Knife Edge Squares



- ▶ Meets DIN875 standard, grade 00
- ▶ Two knife edges on upright blade
- ▶ Hardened stainless steel
- ▶ Lapped measuring faces
- ▶ Supplied in fitted storage case

Dimensions (mm/Inch)	Code	Price
50 x 40/2 x 1.5	4790-050	<b>\$ 33.00</b>
75 x 50/3 x 2	4790-075	<b>38.00</b>
100 x 70/4 x 2.75	4790-0100	<b>42.00</b>
150 x 100/6 x 4	4790-0150	<b>74.00</b>
200 x 130/8 x 5	4790-0200	<b>86.00</b>
300 x 200/12 x 8	4790-0300	<b>150.00</b>

## Radius Gage Sets



- ▶ Precision ground alloy steel
- ▶ Each piece has five concave or convex gaging surfaces
- ▶ Supplied in storage pouch

### INCH

Range (Inch)	Blade Size (Inch)	Blade Quantity	Handle	Code	Price
1/64-1/2	1/64, 1/32, 3/64, 1/16, 5/64, 3/32, 7/64, 1/8, 9/64, 5/32, 11/64, 3/16, 7/32, 15/64, 1/4, 17/64, 9/32, 5/16, 11/32, 3/8, 13/32, 7/16, 15/32, 1/2	25	Included	4804-25E	<b>\$ 36.20</b>
9/16-1	9/16, 5/8, 11/16, 3/4, 13/16, 7/8, 15/16, 1	8	N/A	4804-8E	<b>54.20</b>

### METRIC

Range (mm)	Blade Size (mm)	Blade Quantity	Handle	Code	Price
0.5-13	0.5, 1, 1.5, 2, 2.5, 3, 3.5, 4, 4.5, 5, 5.5, 6, 6.5, 7, 7.5, 8, 8.5, 9, 9.5, 10, 10.5, 11, 11.5, 12, 12.5, 13	26	Included	4804-26	<b>\$ 37.70</b>

## Acme Screw Pitch Gages



- ▶ Alloy steel
- ▶ Blades individually marked with pitch
- ▶ Supplied in storage pouch

Range (mm)	Thread Type	Blade Pitch (mm)	No. of Blades	Code	Price
2-20	30°	2, 3, 4, 5, 6, 7, 8, 9, 10, 12, 16, 20	12	4824-12	<b>\$ 33.50</b>
Range (TPI)	Thread Type	Blade Pitch (TPI)	No. of Blades	Code	Price
1-12	29°	1, 1-1/3, 1-1/2, 1-3/4, 2, 2-1/2, 3, 3-1/2, 4, 5, 6, 7, 8, 9, 10, 12	16	4824-16	<b>\$ 37.50</b>

## Unified 60j Screw Pitch Gages

- ▶ Alloy steel
- ▶ Blades individually marked with pitch



Range (TPI)	Blade Pitch (TPI)	No. of Blades	Code	Price
4-42	4, 4-1/2, 5, 5-1/2, 6, 7, 8, 9, 10, 11, 11-1/2, 12, 13, 14, 15, 16, 18, 20, 22, 24, 26, 27, 28, 30, 32, 34, 36, 38, 40, 42	30	4820-230	<b>\$ 7.40</b>
4-62	4, 4-1/2, 5, 6, 7, 8, 9, 10, 11, 12, 13, 14, 15, 16, 18, 20, 22, 24, 32, 40, 48, 56, 62	23	4820-223	<b>6.00</b>

## Inch Rectangular Gage Block Sets

- ▶ Alloy Steel
- ▶ Blocks individually serialized
- ▶ Manufacturing compliance certificate with deviation readings
- ▶ Meets ASME B89.1.9-2002 standard grade 0
- ▶ Supplied in fitted storage case



*Other sets and metric sets are available upon request*

### 36-Piece Set

Size (Inch)	Step (Inch)	Code	Price
0.05		4102-36	<b>\$ 384.90</b>
0.1001-0.1009	0.0001		
0.101-0.109	0.001		
0.11-0.19	0.01		
0.1-0.5	0.1		
1			
2			
4			

### 81-Piece Set

Size (Inch)	Step (Inch)	Code	Price
0.1001-0.1009	0.0001	4102-81	<b>\$ 635.00</b>
0.101-0.149	0.001		
0.05-0.95	0.05		
1-4	1		

## Small Hole Gage Set

- ▶ For small holes, slots, grooves, etc.
- ▶ Satin chrome finish
- ▶ Supplied in storage pouch



4 Piece Set Includes:

- A: 3mm to 5mm (0.125" to 0.200")
- B: 5mm to 7.5mm (0.200" to 0.300")
- C: 7.5mm to 10mm (0.300" to 0.400")
- D: 10mm to 13mm (0.400" to 0.500")

Range (mm/Inch)	Code	Price
3-13/0.125-0.500	4208-1	<b>\$ 21.00</b>

## Telescoping Gage Set

- ▶ Self centering feature for quick measurement of inside diameters of hole and widths of slots
- ▶ Both gaging ends are heat treated stainless steel and ground to a sphere
- ▶ Satin chrome finish
- ▶ Supplied in storage pouch



6 Piece Set Includes:

- A: 8mm to 12.7mm (5/16" to 1/2")
- B: 12.7mm to 19mm (1/2" to 3/4")
- C: 19mm to 32mm (3/4" to 1-1/4")
- D: 32mm to 54mm (1-1/4" to 2-1/8")
- E: 54mm to 90mm (2-1/8" to 3-1/2")
- F: 90mm to 150mm (3-1/2" to 6")

Range mm (Inch)	Code	Price
8-150 (5/16-6)	4206-1	<b>\$ 29.70</b>

## Long Handle Telescoping Gages

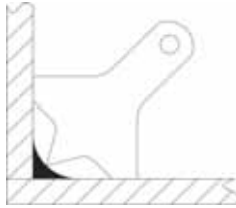


- ▶ Self centering feature for quick measurement of inside diameters of holes and widths of slots
- ▶ Both gaging ends are heat treated stainless steel and ground to a sphere
- ▶ Satin chrome finish
- ▶ Supplied in storage pouch

Handle Length (mm/Inch)	Range (mm/Inch)	Code	Price
250/10	8 to 12.7/5/16 to 1/2	4209-1	<b>\$ 8.40</b>
250/10	12.7 to 19/1/2 to 3/4	4209-2	<b>8.40</b>
250/10	19 to 32/3/4 to 1-1/4	4209-3	<b>8.40</b>
300/12	32 to 54/1-1/4 to 2-1/8	4209-4	<b>9.80</b>
300/12	54 to 90/2-1/8 to 3-1/2	4209-5	<b>9.80</b>
300/12	90 to 150/3-1/2 to 6	4209-6	<b>9.80</b>
300/12	120 to 200/4-3/4 to 8	4209-7	<b>15.00</b>

# INSIZE TOOLS THAT MEASURE UP!

## Blade Type Welding Seam Gage



- ▶ Alloy steel
- ▶ Supplied in storage pouch

Range (Inch)	Measurement Size (Inch)	No. of Blades	Code	Price
1/8-1/2	1/8, 5/32, 3/16, 7/32, 1/4, 9/32, 5/16, 11/32, 3/8, 13/32, 7/16, 1/2	12	4805-12E	\$ 26.00

## Welding Seam Gage



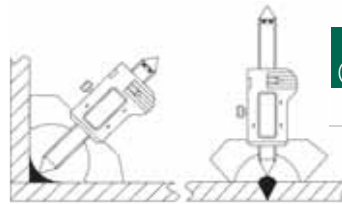
- ▶ Graduation: 1/128"
- ▶ Stainless steel with satin chrome plated reading surface
- ▶ With 60°, 70°, 80°, and 90° angle gages
- ▶ Supplied in storage pouch

Range (Inch)	Code	Price
0-0.8	4830-E	\$ 23.40

## Electronic Welding Seam Gage



- ▶ Measures flat welding seams and welding seams in corners
- ▶ Resolution: 0.01mm/0.0005"
- ▶ Stainless steel
- ▶ With 60°, 70°, 80°, and 90° angle gages
- ▶ Battery SR44, includes one spare battery
- ▶ Supplied in fitted storage case



Range (mm/Inch)	Code	Price
0-20/0-0.8	4831-20	\$ 131.90

## Multi-Purpose Welding Gage

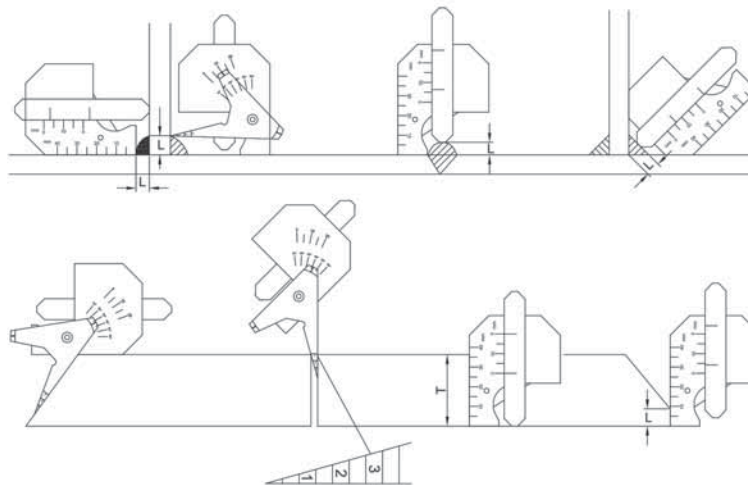
- ▶ Graduation: 1/128"
- ▶ Hardened stainless steel with satin chrome plated reading surface
- ▶ Supplied in storage pouch



Front View



Back View



Code	Price
6832-1	\$ 44.80



Precision Measuring Instruments

www.insize-usa.com

Insized USA

Tel: 877-846-7403 Fax: 800-345-8656

sales@insize-usa.com

INSIZE VISIT US AT IMTS 2010 - BOOTH E5057